

BATTERY-MATE100[®]

Single & Three Phase
Ferroresonant Industrial
Battery Chargers



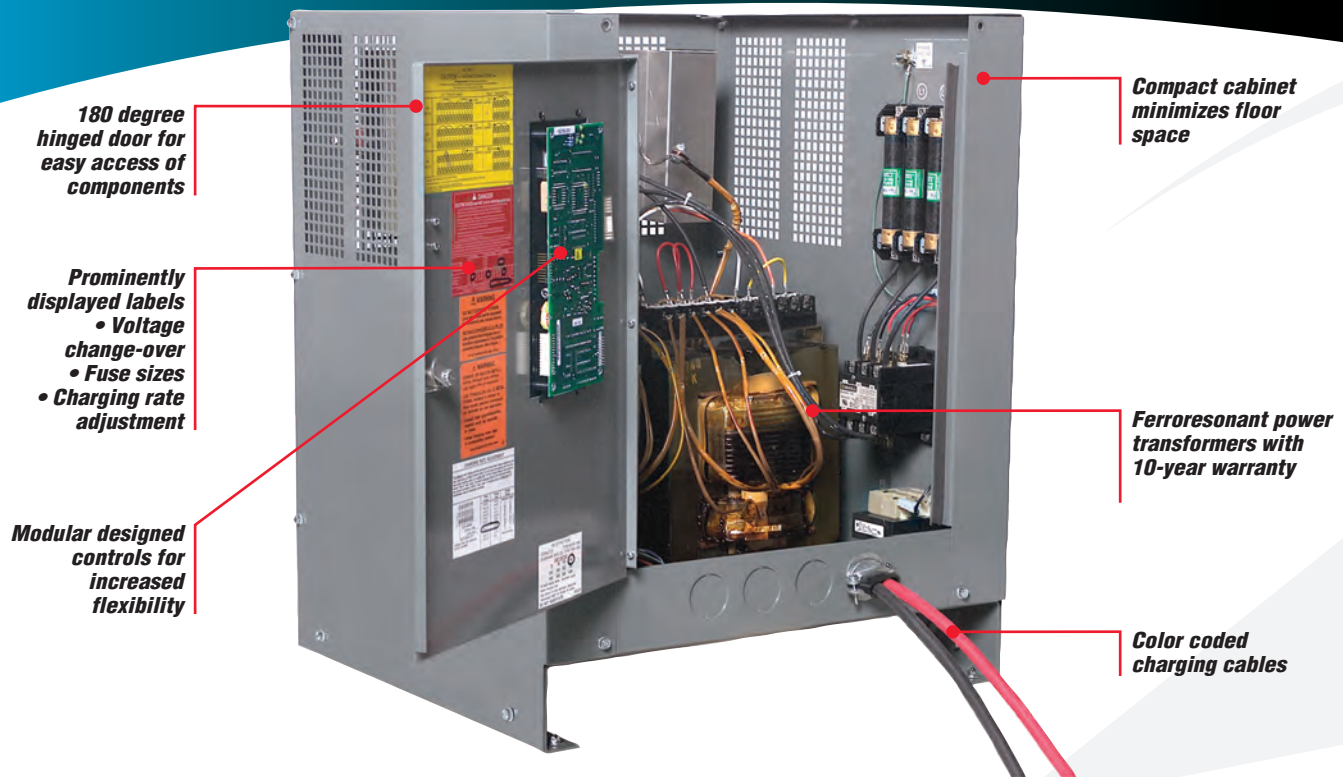
The Battery-Mate 100 Sets the Standard in Industrial Battery Charging with Dependable Quality You Can Rely on.

The Battery-Mate 100 is geared for multiple shift operations. It's designed to meet all industrial and distribution applications. It is rated to recharge normally discharged batteries in less than 8 hours.

- **Charges 100% discharged batteries in 8 hours or less**
- **Interchangeable control design**
- **Economically priced**
- **Fail-safe design**
- **Quality-built for years of trouble-free service**
- **Ten-year full warranty**
- **UL and cUL listed and meets BCI standards**

 **PRESTOLITE
POWER[™]**

BATTERY-MATE100[®] for Dependable



Designed for Quality & Value

The Battery-Mate 100 is an industrial-rated charger, value-designed and extensively engineered to furnish an efficient, problem-free charge each time a battery is connected. Sized and rated to charge 100% discharged batteries in 8 hours or less, the Battery-Mate 100 uses ferroresonant power conversion circuitry, which is virtually maintenance-free, to provide years of dependable service. The power conversion circuitry maximizes battery life by using a constantly tapering charge which is automatically regulated by the "On Charge" battery voltage. The output current of the charger is determined by the state of discharge of the battery. The battery is precisely charged, based on its depth of discharge.

Low Operating Cost

The Battery-Mate 100 is inherently efficient due to its ferroresonant circuitry, the most utilized method of charging lead acid batteries.

Interchangeable Control Design

The Battery-Mate 100 is designed to allow the quick and easy installation or removal of the controls. Unmatched in the industry, this design allows controls to be inter-changed in minutes for greater control, flexibility and automation of any battery charging operation.

Control Options

Depending on your charging requirements, the Battery-Mate 100 can be controlled by any one of the following controls: AC1000 and AC2000.

Automatic Operation

After the battery is connected, the Battery-Mate 100 will automatically start the charging operation. When the battery is fully charged, the charger will automatically terminate the operation.

Single & Three Phase Service

The Battery-Mate 100 is available in a variety of single and three phase models. Each model provides multiple AC input voltages for increased flexibility of the charging operation.

Easy to Change AC Input Voltage

AC input voltage change-overs take just minutes because of conveniently located taps and quick-connect jumpers.

Adjustable DC Output

In rare instances where changes to the DC output might be required, necessary adjustments are made simple with conveniently located quick-connect jumpers.

Rating

The Battery-Mate 100 is rated to recharge a 100% discharged battery in its ampere-hour rating within eight hours.

& Efficient Charging Every Time!

Convection Cooled & Quiet

The Battery-Mate 100 uses no fans to draw in dirty air and has low sound levels for quiet operation.

Battery Charger Safeguards

The Battery-Mate 100 is internally protected against overload, short circuit, reverse polarity connection, voltage transients and other unsafe failure modes. These safeguards protect the charger and battery, assuring longer life for both.

Warranty – 10 Year Full

Minimize repair costs with ten year original purchaser warranty.

Accessible Cabinet Design

The Battery-Mate 100 has been designed to conveniently facilitate charger adjustment and any necessary service or maintenance requirements. The front door opens to 180 degrees to provide easy access to all major components.

Minimizes Floor Space

Because of its compact cabinet, the Battery-Mate 100 requires a minimum amount of floor space. All case styles can be wall, bench or floor mounted and all cases are stackable up to 3 high to save more floor space.

UL, cUL & BCI

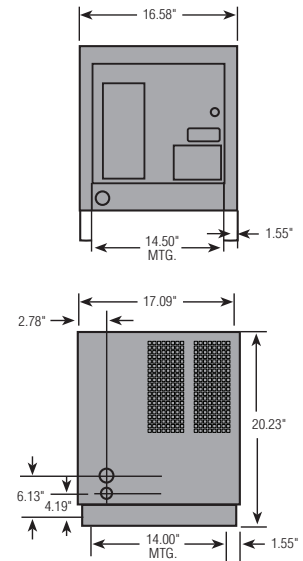
All Battery-Mate 100 models are UL and cUL listed and meets BCI standards, adding further support to the "safety first" design.

Quality-Built for Years of Trouble-Free Service

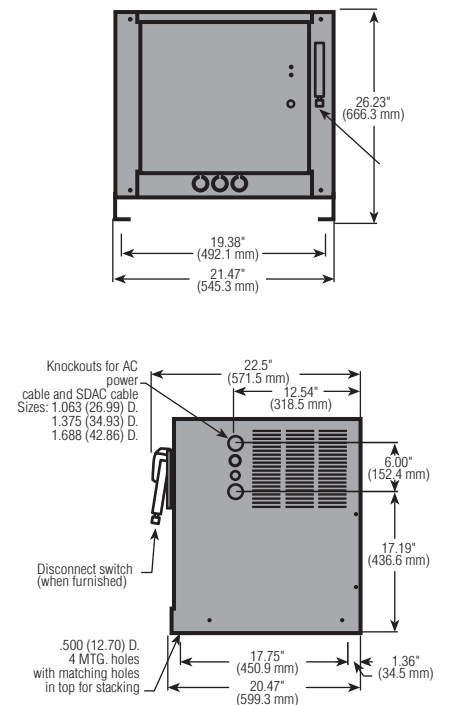
The Battery-Mate 100, as with all our products, is engineered to meet the everyday challenges associated with charging batteries. Unmatched in construction, reliability and value, the Battery-Mate 100 is subject to intensive quality control and test procedures to ensure many years of trouble-free service.

Dimensions

"M" Case



"H" Case



BATTERY-MATE100®

Single & Three Phase Ferroresonant
Industrial Battery Chargers

Battery-Mate 100 Models

Single Phase Models				Max AC Amps RMS					Cabinet Size	Weight Lbs.
Model #	Amp Hour	DC Volts	DC Amps	@120 VAC	@208 VAC	@240 VAC	@480 VAC	@575 VAC		
180M1-6G	180	12	36	5.5	3.1	2.7	1.4	1.1	M	90
250M1-6G	250	12	50	8.2	4.7	4.1	2	1.7	M	95
380M1-6G	380	12	76	13.2	7.6	6.6	3.3	2.8	M	105
450M1-6G	450	12	90	15	8.7	7.6	3.8	3.1	M	110
510M1-6G	510	12	102		10.6	9.2	4.6	3.8	M	115
600M1-6G	600	12	120		11.5	10	5	4.2	M	125
750M1-6G	750	12	150		14.5	12.6	6.3	5.2	M	140
880M1-6G	880	12	176		17.7	15.4	7.7	6.4	M	145
250M1-12G	250	24	50	16.6	9.6	8.3	4.1	3.4	M	105
380M1-12G	380	24	76		14.5	12.6	6.3	5.2	M	120
450M1-12G	450	24	90		16.5	14.4	7.2	6	M	125
510M1-12G	510	24	102		18.8	16.4	8.2	6.8	M	130
600M1-12G	600	24	120		22.7	19.8	9.9	8.2	M	150
750M1-12G	750	24	150		29.1	25.3	12.7	10.5	M	175
880H1-12G	880	24	176		29.8	25.8	12.9	10.8	H	215
250M1-18G	250	36	50		12.9	11.2	5.6	4.7	M	120
380M1-18G	380	36	76		20	17.4	8.7	7.2	M	130
450M1-18G	450	36	90		24.5	21.4	10.7	8.9	M	150
510M1-18G	510	36	102		27.5	24	12	9.9	M	175
600M1-18G	600	36	120		31.1	27.1	13.5	11.3	M	190
750H1-18G	750	36	150		42.5	36.8	18.4	15.4	H	255
880H1-18G	880	36	176		47.8	41.4	20.7	17.3	H	280
965H1-18G	965	36	193			48	24	20	H	300
250M1-24G	250	48	50		17.4	15.2	7.6	7.3	M	130
380M1-24G	380	48	76		25.1	21.9	10.9	9.1	M	175
450M1-24G	450	48	90		31.6	27.6	13.8	11.4	M	180
510H1-24G	510	48	102		42.2	36.6	18.3	15.3	H	245
600H1-24G	600	48	120		45.2	39.2	19.6	16.4	H	260
Three Phase Models				Max AC Amps RMS					Cabinet Size	Weight Lbs.
Model #	Amp Hour	DC Volts	DC Amps	@120 VAC	@208 VAC	@240 VAC	@480 VAC	@575 VAC		
250H3-12G	250	24	50		4.8	4.2	2.1	1.8	H	180
510H3-12G	510	24	102		10.4	9	4.5	3.8	H	195
600H3-12G	600	24	120		12.6	11	5.5	4.6	H	220
750H3-12G	750	24	150		14.6	12.7	6.3	5.3	H	240
880H3-12G	880	24	176		17.3	15	7.5	6.3	H	245
965H3-12G	965	24	193		18.9	16.4	8.2	6.8	H	250
1050H3-12G	1050	24	210		20.8	18.1	9.1	7.5	H	285
250H3-18G	250	36	50		6.8	5.9	3	2.5	H	185
510H3-18G	510	36	102		14.7	12.8	6.4	5.3	H	240
600H3-18G	600	36	120		17	14.8	7.4	6.1	H	245
750H3-18G	750	36	150		21.1	18.3	9.2	7.6	H	290
880H3-18G	880	36	176		26.5	23.1	11.5	9.6	H	320
965H3-18G	965	36	193		29.1	25.4	12.7	10.5	H	325
1050H3-18G	1050	36	210		32.9	28.7	14.4	11.9	H	330
1100H3-18G	1100	36	220		34.7	30.3	15.1	12.6	H	335
1200H3-18G	1200	36	240		38.7	33.8	16.9	14	H	370
1360H3-18G	1360	36	272		37	32.1	16	13.4	H	385
450H3-24G	450	48	90		16	14	7	5.8	H	280
600H3-24G	600	48	120		22.7	19.8	9.9	8.2	H	285
750H3-24G	750	48	150		32.2	28	14	11.6	H	325
880H3-24G	880	48	176		34.1	29.7	14.9	12.3	H	360
965H3-24G	965	48	193		37.5	32.7	16.3	13.6	H	365
1050H3-24G	1050	48	210		46.1	40	20	16.7	H	380
380H3-40G	380	80	76		22.2	19.2	9.6	8	H	330
510H3-40G	510	80	102		32.2	28.8	14.4	12	H	365
600H3-40G	600	80	120		42.9	37.2	18.6		H	370

AC Input Configurations Available: 120/208/240-Single Phase, 208/240/480-Single & Three Phase, 240/480/575-Single Phase, 480/575-Three Phase

Control Features	Model	
	AC1000	AC2000
Automatic start/stop	•	•
Timed delay start	•	•
PT/DV/DT termination	•	•
VT termination	•	•
Universal control for 6,12,18, 24,36 cell	•	•
Back-up timers	•	•
AC fail recovery	•	•
Battery/charger mismatch protection	•	•
Refresh charge	•	•
Automatic equalize	•	•
Full battery reject	•	•
Modular design	•	•
Optional start modes	•	•
Forming cycles	•	•
Extended run time	•	•
Optional equalize modes	•	•
Data-Mate compatible	•	•
99 cycle archive	•	•
Cool down	•	•
Thermal runaway protection	•	•
80% volts/cell	•	•
AC power/reset charge cycle option	•	•

Full Line of Automatic Start/Stop Controls



Series AC1000

Series AC2000

For more charger control information, see the following:
AC1000 – data sheet 1322
AC2000 – data sheet 1320



DISTRIBUTED BY:



Manufactured by **AMETEK** PRESTOLITE POWER
2220 Corporate Drive • Troy, Ohio 45373
Phone: 800.367.2002 • Fax: 800.654.4024
www.prestolitepower.com

Because we continually improve our products, specifications are subject to change without notice.
©2014, AMETEK, Inc. Prestolite Power, Troy, Ohio
Data Sheet: 1311 6/14 5M Printed in U.S.A.
Replaces: 6/13